

## 8FGF/FDF15, 18

Specifications				02-8FGF15	02-8FDF15	02-8FGF18	02-8FDF18	
Identification	1.1	Manufacturer		Toyota	Toyota	Toyota	Toyota	
	1.2	Model		02-8FGF15	02-8FDF15	02-8FGF18	02-8FDF18	
	1.3	Drive		LPG	Diesel	LPG	Diesel	
	1.4	Operator type		Rider seated	Rider seated	Rider seated	Rider seated	
	1.5	Load capacity/rated load	Q	kg	1500	1500	1750	1750
	1.6	Load centre	c	mm	500	500	500	500
	1.8	Load distance, centre of drive axle to fork	x	mm	410	410	410	410
	1.9	Wheelbase	y	mm	1485	1485	1485	1485
	Weight	2.1	Service weight		kg	2450	2550	2630
2.2		Axle load, with load, front/rear		kg	3460/490	3510/540	3820/560	3940/540
2.3		Axle load, without load, front/rear		kg	1040/1410	1090/1460	1000/1630	1120/1610
Tyres	3.1	Tyre - pneumatic (P), pneumatic shaped cushion (SE), solid rubber (R)			SE	SE	SE	SE
	3.2	Tyre size, front			6,50 - 10	6,50 - 10	6,50 - 10	6,50 - 10
	3.3	Tyre size, rear			5,00 - 8	5,00 - 8	5,00 - 8	5,00 - 8
	3.5	Wheels, number front/rear (x = driven wheels)			2x/2	2x/2	2x/2	2x/2
	3.6	Track width, front	b <sub>10</sub>	mm	885	885	885	885
	3.7	Track width, rear	b <sub>11</sub>	mm	895	895	895	895
	Dimensions	4.1	Tilt of mast/fork carriage forward/backward	$\alpha/\beta$	deg	6/11	6/11	6/11
4.2		Height, mast lowered	h <sub>1</sub>	mm	1995	1995	1995	1995
4.3		Free lift	h <sub>2</sub>	mm	150	150	150	150
4.4		Lift	h <sub>3</sub>	mm	2960	2960	2960	2960
		Lift height	h <sub>23</sub>	mm	3000	3000	3000	3000
4.5		Height, mast extended	h <sub>4</sub>	mm	4250	4250	4250	4250
4.7		Height of overhead guard (cab)	h <sub>6</sub>	mm	2080	2080	2080	2080
4.8		Seat height	h <sub>7</sub>	mm	1020	1020	1020	1020
4.12		Coupling height	h <sub>10</sub>	mm	285	285	285	285
4.19		Overall length	l <sub>1</sub>	mm	3290	3290	3315	3315
4.20		Length to face of forks	l <sub>2</sub>	mm	2290	2290	2315	2315
4.21		Overall width	b <sub>1</sub>	mm	1070	1070	1070	1070
4.22		Fork dimensions	s/e/l	mm	40/80/1000	40/80/1000	40/80/1000	40/80/1000
4.23		Fork carriage DIN 15 173, class/type A, B			IIA	IIA	IIA	IIA
4.24		Fork-carriage width	b <sub>3</sub>	mm	920	920	920	920
4.31		Ground clearance, with load, below mast	m <sub>1</sub>	mm	80	80	80	80
4.32		Ground clearance, centre of wheelbase	m <sub>2</sub>	mm	95	95	95	95
4.33		Aisle width for pallets 1000x1200 crossways	A <sub>st</sub>	mm	3600	3600	3620	3620
4.34	Aisle width for pallets 800x1200 lengthways	A <sub>st</sub>	mm	3800	3800	3820	3820	
4.35	Turning radius	W <sub>a</sub>	mm	1990	1990	2010	2010	
4.36	Internal turning radius	b <sub>13</sub>	mm	575	575	575	575	
Performance data	5.1	Travel speed, with/without load		km/h	18,5/19,0	18,0/18,5	18,5/19,0	18,0/18,5
	5.2	Lift speed, with/without load		m/s	0,67/0,68	0,65/0,68	0,67/0,68	0,65/0,68
	5.3	Lowering speed, with/without load		m/s	0,50/0,55	0,50/0,55	0,50/0,55	0,50/0,55
	5.6	Max. drawbar pull, with/without load		N	17500/6300	16600/7000	17500/6300	16600/6300
	5.7	Gradeability, with load <sup>1) 2)</sup>		%	41	42	40	37
	5.8	Max. gradeability, with/without load <sup>2)</sup>		%	45/22	45/22	44/20	41/20
	5.10	Service brake			Hydraulic	Hydraulic	Hydraulic	Hydraulic
Combustion engine	7.1	Engine manufacturer/type			Toyota 4Y-ECS (V)	Toyota 1DZ-III (IIIA)	Toyota 4Y-ECS (V)	Toyota 1DZ-III (IIIA)
	7.2	Engine power according to ISO 1585		kW	38	36	38	36
	7.3	Rated speed		1/min	2570	2400	2570	2400
	7.4	No. of cylinders/displacement		cm <sup>3</sup>	4/2237	4/2486	4/2237	4/2486
	7.5a	Fuel consumption according to VDI 60		l/h	—	2,6	—	2,8
	7.5b	Fuel consumption according to VDI 60		kg/h	2,3	—	2,3	—
	8.2	Operating pressure for attachments		bar	118	118	118	118
Other	8.3	Oil volume for attachments		l/min	65 max.	64 max.	65 max.	64 max.
	8.4	Sound level at the driver's ear according to EN 12 053		dB(A)	77	79	77	79

1) At 1,5 km/h.

2) Computed val.

## Mast dimensions and rated capacities

Model			V								FV					FSV							
8FGF/FDF15/18	Lift height	$h_{23}$	3000	3300	3500	3700	4000	4500	5000	5500	3000	3300	3500	3700	4000	4300	4700	5000	5500	6000	6500	7000	
	Lift	$h_3$	2960	3260	3460	3660	3960	4460	4960	5460	2960	3260	3460	3660	3960	4260	4660	4960	5460	5960	6460	6960	
	Height, mast lowered	$h_1$	1995	2145	2245	2405	2595	2845	3095	3345	1995	2145	2245	2405	2595	1995	2145	2245	2405	2595	2845	3095	
	Height, mast extended <sup>1)</sup>	$h_4$	3640	3940	4140	4340	4640	5140	5640	6140	3590	3890	4090	4290	4590	4865	5265	5565	6065	6565	7065	7565	
	Height, mast extended <sup>2)</sup>	$h_4$	4250	4550	4750	4950	5250	5750	6250	6750	4240	4540	4740	4940	5240	5540	5940	6240	6740	7240	7740	8240	
	Free lift, without load backrest	$h_2$	150	150	150	150	150	150	150	150	1440 [1250]	1590 [1400]	1690 [1500]	1850 [1660]	2040 [1850]	1460	1610	1710	1870	2060	2310	2560	
	Free lift, with load backrest	$h_2$	150	150	150	150	150	150	150	150	785	935	1035	1195	1385	785	935	1035	1195	1385	1635	1885	

1) Without load backrest.

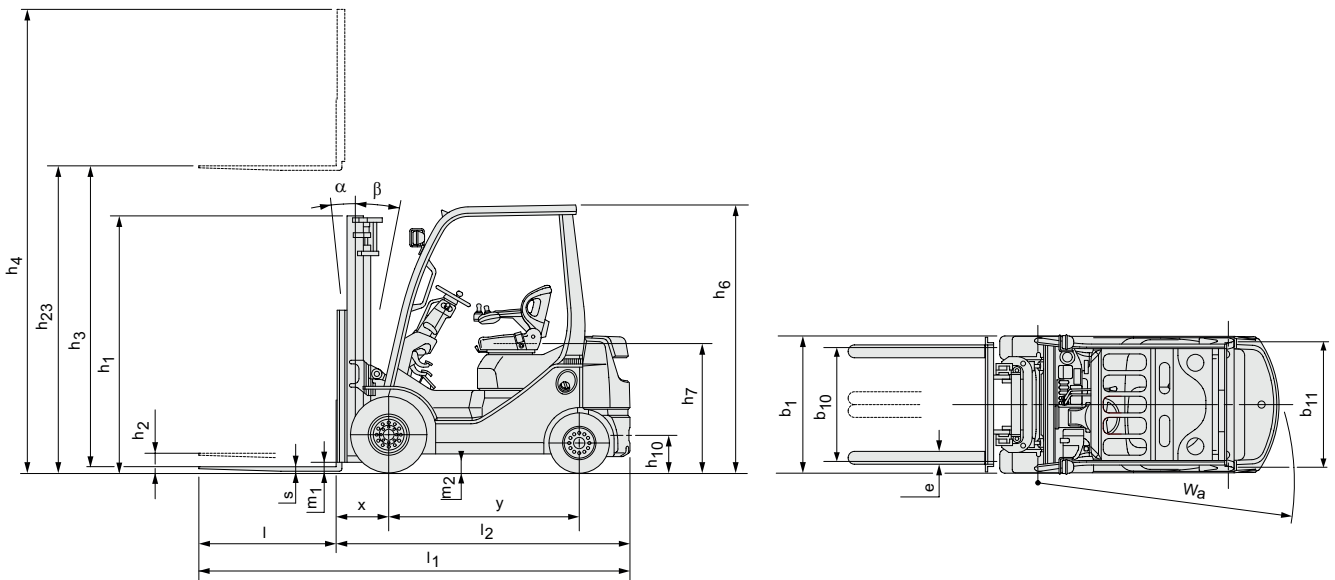
2) With load backrest; height of standard load backrest is 1220 mm.

Data in [ ] are for when "A4 piping" is selected.

Single tyre			V								FV					FSV							
8FGF/ FDF15	Tilt range, forward	deg	6	6	6	6	6	6	6	—	6	6	6	6	6	6	6	6	6	6	6	—	
	Tilt range, backward	deg	11(6)	11(6)	11(6)	11(6)	11(6)	6	6	—	11(6)	11(6)	11(6)	11(6)	11(6)	6	6	6	6	6	6	—	
	Load capacity, P tyres at 500 mm LC	kg	1500	1500	1500	1500	1500	1450	1300	—	1500	1500	1500	1500	1500	1400	1350	1250	950	700	500	—	
	Load capacity, SE tyres at 500 mm LC	kg	1500	1500	1500	1500	1500	1450	1300	—	1500	1500	1500	1500	1500	1400	1350	1300	1050	800	570	—	
8FGF/ FDF18	Tilt range, forward	deg	6	6	6	6	6	6	6	—	6	6	6	6	6	6	6	6	6	6	6	—	
	Tilt range, backward	deg	11(6)	11(6)	11(6)	11(6)	11(6)	6	6	—	11(6)	11(6)	11(6)	11(6)	11(6)	6	6	6	6	6	6	—	
	Load capacity, P tyres at 500 mm LC	kg	1750	1750	1750	1750	1700	1600	1550	—	1750	1750	1750	1750	1700	1550	1500	1450	1100	850	500	—	
	Load capacity, SE tyres at 500 mm LC	kg	1750	1750	1750	1750	1700	1600	1550	—	1750	1750	1750	1750	1700	1550	1500	1450	1200	950	570	—	

Dual tyre			V								FV					FSV							
8FGF/ FDF15	Tilt range, forward	deg	7	7	7	7	7	7	7	7	7	7	7	7	7	7	7	7	7	7	7	7	
	Tilt range, backward	deg	10(5)	10(5)	10(5)	10(5)	10(5)	10(5)	5	5	10(5)	10(5)	10(5)	10(5)	10(5)	5	5	5	5	5	5	5	
	Load capacity, P/SE tyres 500 mm LC	kg	1500	1500	1500	1500	1500	1450	1350	1300	1500	1500	1500	1500	1500	1400	1350	1300	1250	1100	900	650	
8FGF/ FDF18	Tilt range, forward	deg	7	7	7	7	7	7	7	7	7	7	7	7	7	7	7	7	7	7	7	7	
	Tilt range, backward	deg	10(5)	10(5)	10(5)	10(5)	10(5)	10(5)	5	5	10(5)	10(5)	10(5)	10(5)	10(5)	5	5	5	5	5	5	5	
	Load capacity, P/SE tyres at 500 mm LC	kg	1750	1750	1750	1750	1700	1600	1550	1450	1750	1750	1750	1750	1700	1550	1500	1450	1400	1200	850	600	

Data in ( ) are for when "Cabin Series" is selected (minimum front windshield).



Underclearance		
Mast, load	mm	80
Drive axle, load	mm	85
Steer axle, no load	mm	105
Center of wheelbase, load	mm	95
Counterweight, no load	mm	105